

SECTION A-A

NOTES :

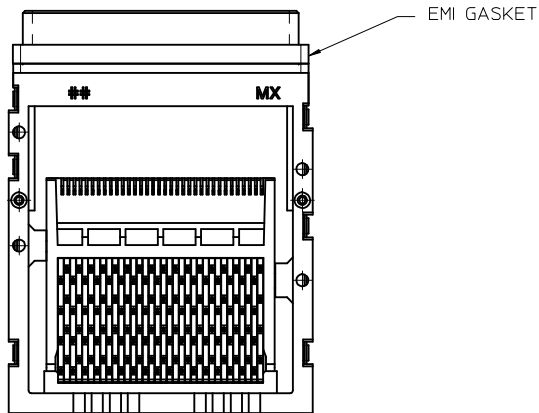
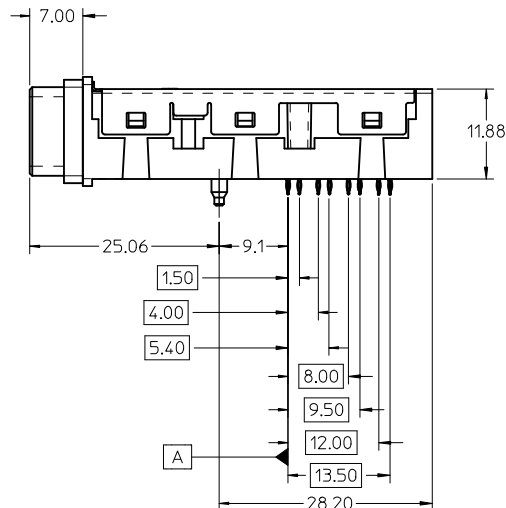
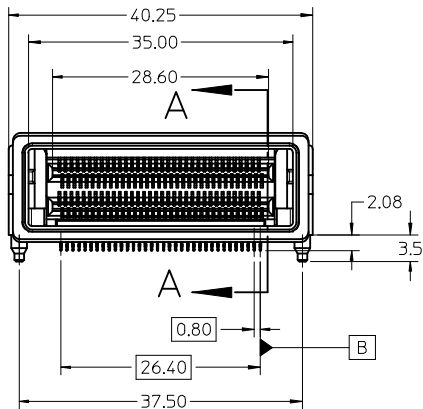
- MATERIALS :
 CONNECTOR HOUSING - HIGH TEMP THERMOPLASTIC,
 GLASS FILLED, UL94V-0
 EMI HOUSING - NICKEL PLATED DIE CAST ALLOY
 COVER - STAINLESS STEEL ALLOY
 EMI GASKET - CONDUCTIVE POLYMER

2. PLATING OPTIONS :

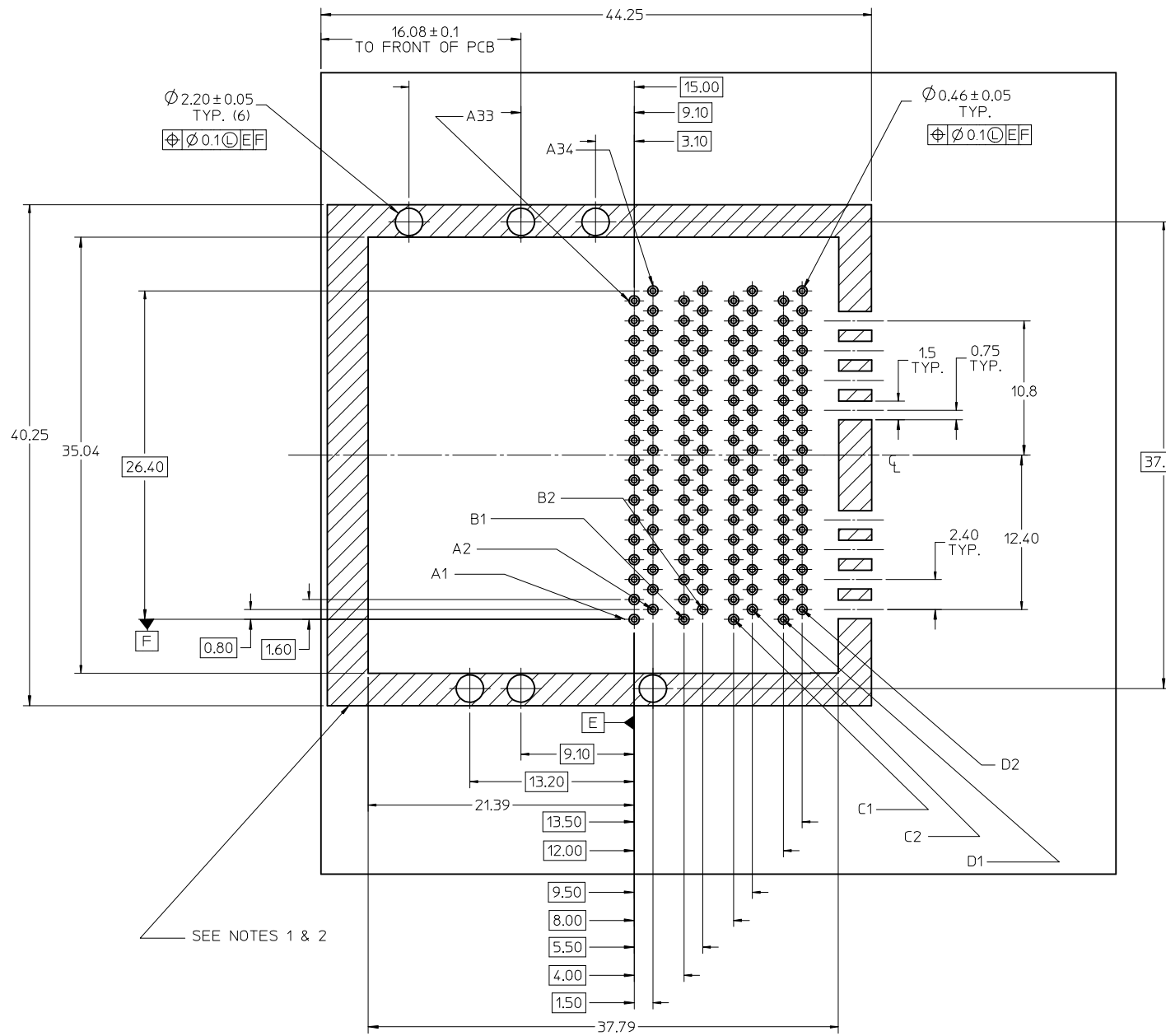
- (1) CONTACT AREA - 0.38µm MIN GOLD OVER 2.54 µm MIN NICKEL
 COMPLIANT TAIL AREA - 0.76 - 1.52 µm TIN/LEAD (90/10)
 OVER 2.54 µm MIN NICKEL.
- (2) CONTACT AREA - 0.76µm MIN GOLD OVER 2.54 µm MIN NICKEL
 COMPLIANT TAIL AREA - 0.76 - 1.52 µm TIN/LEAD (90/10)
 OVER 2.54 µm MIN NICKEL.

- PRODUCT SPECIFICATION : PS-75586-001
- THIS CONNECTOR IS DESIGNED TO MATE WITH MOLEX
 CABLE SERIES 74546.
- PACKAGING SPECIFICATION : TRAY PACK PER PK-75581-001
- MOUNTING HARDWARE REQ'D : M2x8mm CAP SCREWS (4)

PART NUMBER	PLATING OPTION
75581 0001	(1) 0.38µ Gold (SEE NOTE #2)
75581 0002	(2) 0.76µ Gold (SEE NOTE #2)



N/A EC NO: UCP2009-0731 DRWN: SWUELLER 2007/04/10 CHKD: JANIELEZIO 2008/11/24 APPR: MBANKIS 2008/11/25	QUALITY SYMBOLS 	GENERAL TOLERANCES (UNLESS SPECIFIED)		DIMENSION STYLE MM ONLY		SCALE 2:1	DESIGN UNITS METRIC	THIRD ANGLE PROJECTION			
		4 PLACES ± --- ± ---	3 PLACES ± --- ± ---	DRAWN BY KREGNIER	DATE 10/21/04	TITLE 16X PCIE I-PASS CONNECTOR FAMILY 0.80 MM PITCH I/O					
		2 PLACES ± 0.13 ± ---	1 PLACE ± 0.25 ± ---	CHECKED BY	DATE	APPROVED BY RNELSON					
		ANGULAR ± 1/2°		MATERIAL NO. SEE CHART		DATE 10/28/04		DOCUMENT NO. SD-75581-001		SHEET NO. 1 OF 3	
DRAFT WHERE APPLICABLE MUST REMAIN WITHIN DIMENSIONS				THIS DRAWING CONTAINS INFORMATION THAT IS PROPRIETARY TO MOLEX INCORPORATED AND SHOULD NOT BE USED WITHOUT WRITTEN PERMISSION							



NOTES :

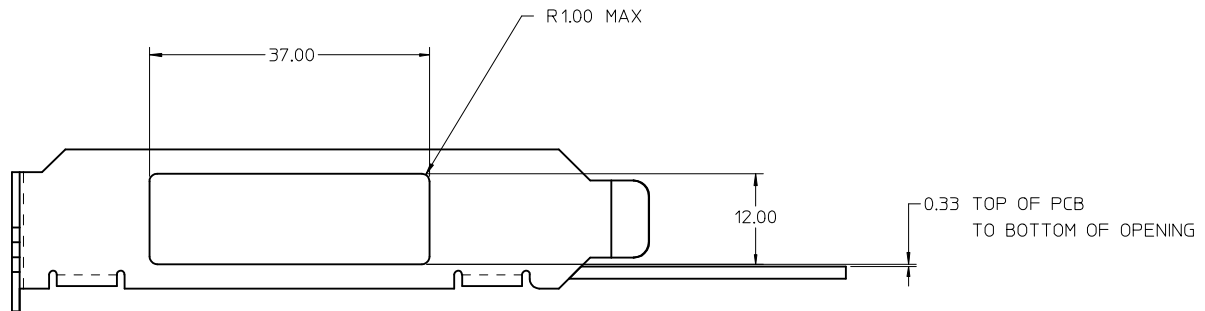
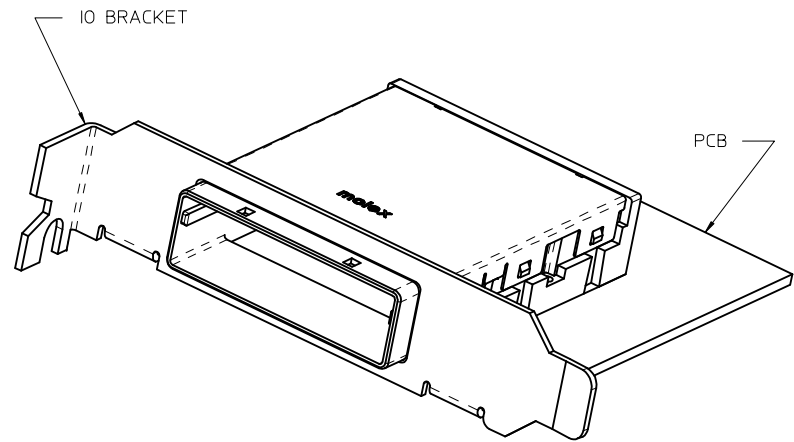
1. CROSS HATCHED AREA TO BE CONDUCTIVE ON THE PCB.
2. CROSS HATCHED AREA MUST BE INCORPORATED IN THE FLAT ROCK PRESS-FIT TOOLING.

SEE NOTES 1 & 2

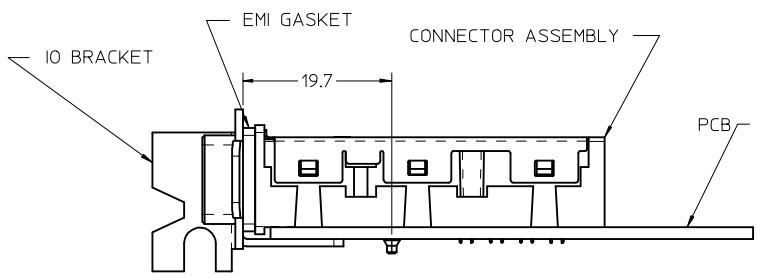
RECOMMENDED PCB LAYOUT : COMPONENT SIDE SHOWN

PCB THICKNESS : 1.35mm MIN.

SEE SHEET 1 EC NO: UCP2009-0731 DRWN: SWELLER 2007/04/10 CHKD: JANIELEZ/O 2008/11/24 APPR: MBANKIS 2008/11/25	QUALITY SYMBOLS	GENERAL TOLERANCES (UNLESS SPECIFIED)	DIMENSION STYLE	SCALE	DESIGN UNITS	THIRD ANGLE PROJECTION															
	$\nabla = 0$ $\nabla = 0$	<table border="1"> <thead> <tr> <th></th> <th>mm</th> <th>INCH</th> </tr> </thead> <tbody> <tr> <td>4 PLACES</td> <td>± ---</td> <td>± ---</td> </tr> <tr> <td>3 PLACES</td> <td>± ---</td> <td>± ---</td> </tr> <tr> <td>2 PLACES</td> <td>± 0.13</td> <td>± ---</td> </tr> <tr> <td>1 PLACE</td> <td>± 0.25</td> <td>± ---</td> </tr> </tbody> </table>		mm	INCH	4 PLACES	± ---	± ---	3 PLACES	± ---	± ---	2 PLACES	± 0.13	± ---	1 PLACE	± 0.25	± ---	MM ONLY	4:1	METRIC	
		mm	INCH																		
	4 PLACES	± ---	± ---																		
3 PLACES	± ---	± ---																			
2 PLACES	± 0.13	± ---																			
1 PLACE	± 0.25	± ---																			
DESCRIPTION REV	DRAWN BY CHECKED BY APPROVED BY MATERIAL NO.	DATE DATE DATE DATE	TITLE DOCUMENT NO.	16X PCIe I-PASS CONNECTOR FAMILY 0.80 MM PITCH I/O MOLEX INCORPORATED																	
	DRAFT WHERE APPLICABLE MUST REMAIN WITHIN DIMENSIONS	SEE CHART	THIS DRAWING CONTAINS INFORMATION THAT IS PROPRIETARY TO MOLEX INCORPORATED AND SHOULD NOT BE USED WITHOUT WRITTEN PERMISSION	SHEET NO. 2 OF 3																	



IO BRACKET CUT-OUT
(NOT SUPPLIED)



ASSEMBLED VIEW

SEE SHEET 1 EC NO: UCP2009-0731 DRWNS:SMUELLER 2007/04/10 CHKD:J.JANTELEZ10 2008/11/24 APPR:MBANKA1S 2008/11/25	QUALITY SYMBOLS	GENERAL TOLERANCES (UNLESS SPECIFIED)	DIMENSION STYLE	SCALE	DESIGN UNITS	THIRD ANGLE PROJECTION																				
	$\nabla=0$ $\nabla=0$	<table border="1"> <thead> <tr> <th></th> <th>mm</th> <th>INCH</th> </tr> </thead> <tbody> <tr> <td>4 PLACES</td> <td>\pm ---</td> <td>\pm ---</td> </tr> <tr> <td>3 PLACES</td> <td>\pm ---</td> <td>\pm ---</td> </tr> <tr> <td>2 PLACES</td> <td>± 0.13</td> <td>\pm ---</td> </tr> <tr> <td>1 PLACE</td> <td>± 0.25</td> <td>\pm ---</td> </tr> </tbody> </table>		mm	INCH	4 PLACES	\pm ---	\pm ---	3 PLACES	\pm ---	\pm ---	2 PLACES	± 0.13	\pm ---	1 PLACE	± 0.25	\pm ---	MM ONLY	2:1	METRIC						
		mm	INCH																							
	4 PLACES	\pm ---	\pm ---																							
3 PLACES	\pm ---	\pm ---																								
2 PLACES	± 0.13	\pm ---																								
1 PLACE	± 0.25	\pm ---																								
DESCRIPTION	<table border="1"> <thead> <tr> <th>REV</th> <th>DESCRIPTION</th> </tr> </thead> <tbody> <tr> <td> </td> <td> </td> </tr> </tbody> </table>	REV	DESCRIPTION			<table border="1"> <thead> <tr> <th>DRAWN BY</th> <th>DATE</th> </tr> </thead> <tbody> <tr> <td>KREGNIER</td> <td>10/21/04</td> </tr> <tr> <th>CHECKED BY</th> <th>DATE</th> </tr> <tr> <td> </td> <td> </td> </tr> <tr> <th>APPROVED BY</th> <th>DATE</th> </tr> <tr> <td>RNELSON</td> <td>10/28/04</td> </tr> </tbody> </table>	DRAWN BY	DATE	KREGNIER	10/21/04	CHECKED BY	DATE			APPROVED BY	DATE	RNELSON	10/28/04	<table border="1"> <thead> <tr> <th>TITLE</th> <th>DOCUMENT NO.</th> <th>SHEET NO.</th> </tr> </thead> <tbody> <tr> <td>16X PCIE I-PASS CONNECTOR FAMILY 0.80 MM PITCH I/O</td> <td>SD-75581-001</td> <td>3 OF 3</td> </tr> </tbody> </table>		TITLE	DOCUMENT NO.	SHEET NO.	16X PCIE I-PASS CONNECTOR FAMILY 0.80 MM PITCH I/O	SD-75581-001	3 OF 3
REV	DESCRIPTION																									
DRAWN BY	DATE																									
KREGNIER	10/21/04																									
CHECKED BY	DATE																									
APPROVED BY	DATE																									
RNELSON	10/28/04																									
TITLE	DOCUMENT NO.	SHEET NO.																								
16X PCIE I-PASS CONNECTOR FAMILY 0.80 MM PITCH I/O	SD-75581-001	3 OF 3																								
	DRAFT WHERE APPLICABLE MUST REMAIN WITHIN DIMENSIONS	SEE CHART	THIS DRAWING CONTAINS INFORMATION THAT IS PROPRIETARY TO MOLEX INCORPORATED AND SHOULD NOT BE USED WITHOUT WRITTEN PERMISSION																							